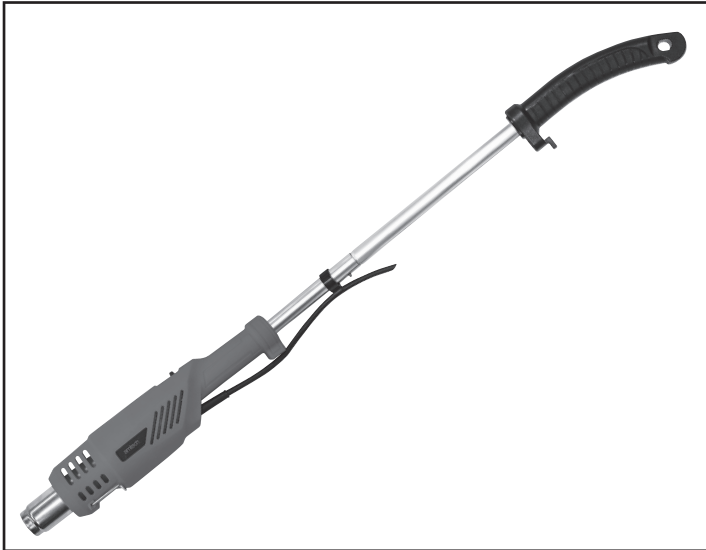


amtech®

2000W electric garden weed burner

Stock Code: U9010

INSTRUCTION MANUAL & SAFETY GUIDE



CE



DK Tools Ltd

Units 1 & 2 Northpoint Business Centre, Horton Road, West Drayton, Middlesex, UB7 8EQ

www.amtechdiy.com



IMPORTANT: PLEASE READ THESE INSTRUCTIONS CAREFULLY. PLEASE NOTE THE SAFE OPERATIONAL REQUIREMENTS, WARNINGS AND CAUTIONS. USE THIS PRODUCT CORRECTLY AND WITH CARE FOR THE PURPOSE FOR WHICH IT IS INTENDED. FAILURE TO DO SO MAY CAUSE DAMAGE AND/OR PERSONAL INJURY. PLEASE KEEP THE INSTRUCTIONS SAFE FOR FUTURE USE.

2000W ELECTRIC GARDEN WEED BURNER

Stock Code: U9010

SPECIFICATIONS:

Input voltage: 230V-240V~50Hz
Power: 2000W
Temperature: I: 60°C II: 650°C
Air flow: 550l/min
Protection class: II
Power cable length: 3m

CONTENTS:

1 x 2000W weed burner, 1 x 46cm extension handle, 1 x concentrator nozzle, 1 x weed burner nozzle

UNPACKING: When unpacking, make sure the item is intact and undamaged.

GENERAL SAFETY:

WARNING: Read all safety warnings and all instructions. Failure to follow the warnings and instructions may result in electric shock, fire and/or serious injury.

WARNING:

This appliance is not intended for use by persons (including children) with reduced, physical or mental capabilities or lack of experience or knowledge unless they have been given supervision or instruction concerning use of the appliance by a person responsible for their safety. Children must be supervised to ensure that they do not play with the appliance. Save all warnings and instructions for future reference.

- Read all safety warning and all instructions. Failure to follow the warnings and instructions may result in electric shock, fire and/or serious injury
- Save all warnings and instructions for future reference
- The term "power tool" in the warnings refers to your mains-operated(corded)power tool or battery-operated (cordless)power tool.
- Do not expose power tools to rain or wet conditions. Water entering a power tool will increase the risk of electric shock.
- Do not abuse the cord. Never use the cord for carrying, pulling or unplugging the power the power tool. Keep cord away from heat, oil, sharp edges or moving parts. Damaged or entangled cords increase the risk of electric shock.
- If operating a power tool in a damp location is unavoidable, use a residual current device(RCD) protected supply.
- Use of an RCD reduces the risk of electric shock.
- Do not use the power tool if the switch does not turn it on and off. Any power tool that cannot be controlled with the switch is dangerous and must be repaired.

WARNING:

- Do not touch. Risk of burns caused by hot surfaces.
- Keep away from children and animals.
- Store in a dry environment and protect from rain and moisture.
- This tool must be placed on its stand when not in use.
- Careless use of the appliance can cause a fire.
- Take care when using the appliance in the vicinity of inflammable materials.
- Do not aim use in the presence of an explosive atmosphere.
- Heat can be transferred to combustible materials which are hidden from view.
- Do not leave the appliance unattended while it is in operation.
- Always use with caution.
- **Always allow to cool fully before storing.**

ADDITIONAL SAFETY INSTRUCTIONS:

CAUTION! Avoid the risk of injury or fire as well as health risks: In case of danger, remove the plug from the socket immediately.

CAUTION! RISK OF INJURY! Never use the appliance as a hair dryer. Never aim the hot air stream at people or animals. Never look directly into the nozzle opening at the outlet.

CAUTION! RISK OF BURNS!

Do not touch the hot nozzle.

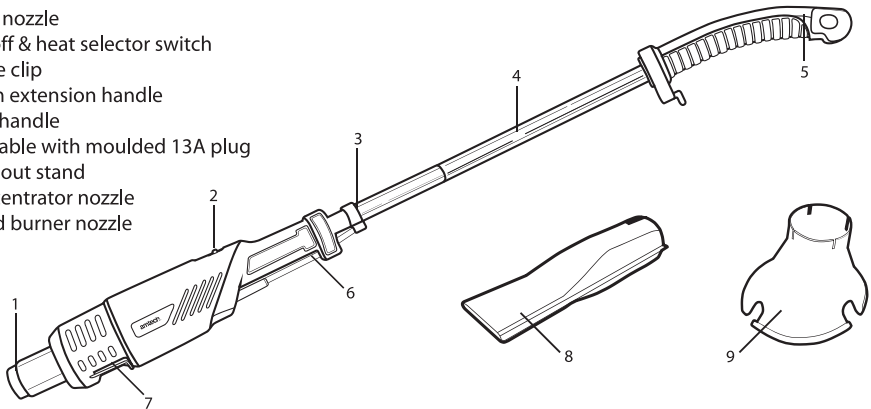
Always wear protective safety gloves.

Always remove the plug from the power socket during work breaks, when adjusting the appliance (e.g. changing nozzles) and when it is no longer in use. Keep the nozzle at a distance from the work the work piece or the area being processed. A build-up of hot air can result in damaged to the appliance. The appliance must always be kept clean, dry and free from oil or grease. Never use the appliance for purposed other than the ones for which it was designed.

- This tool must be placed on its stand when not in use
- Careless use of the appliance can cause a fire
- Take care when using the appliance in the vicinity of inflammable materials.
- Do not aim use in the presence of an explosive atmosphere.
- Heat can be transferred to combustible materials which are hidden from view.
- Replace on stand after use and allow to cool before putting it away.
- Do not leave the appliance unattended while it is in operation.

PRODUCT DETAILS

1. Heat nozzle
2. On/off & heat selector switch
3. Cable clip
4. 46cm extension handle
5. Grip handle
6. 3m cable with moulded 13A plug
7. Fold-out stand
8. Concentrator nozzle
9. Weed burner nozzle

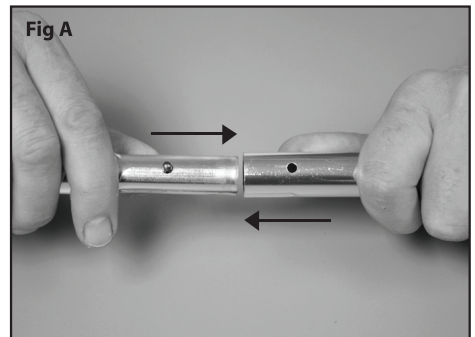


ASSEMBLY

The weed burner comes unassembled for hand held use and can be used straight out of the box.

To connect the extension handle, insert the smaller diameter end of the aluminium tube into the larger diameter aluminium tube attached to the body. To securely fasten the two aluminium tubes, press the sprung loaded button with your thumb whilst pushing the extension tube until the button clicks into place in the locating hole (see Fig A).

To attach either of the nozzles simply push them on to the reduced end of the heat output.



Warning! Always allow nozzles to cool down fully before attempting to change them.

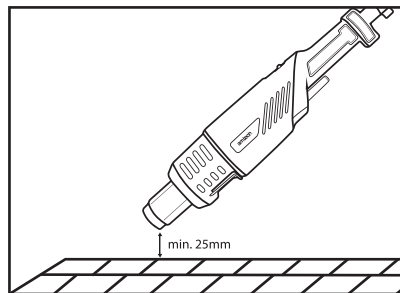
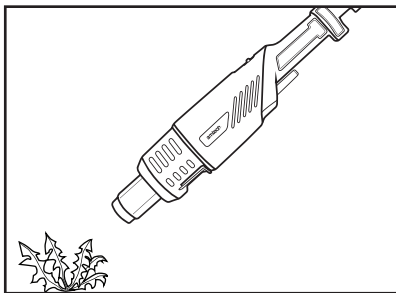
OPERATIONS

1. Weed killing

Clip the mains cable into the adjustable cable clip on the extension handle. Plug the weed burner into a power socket (230-240V) - it is recommended that an RCD breaker (residual current device) is used.

Switch the weed burner on by sliding the ON/OFF switch to position I (low temp) or II (high temp). The full operating temperature is reached after approx. 1 minute. To kill weeds, place the cone nozzle over the weed to be treated for around 5-10 seconds depending on the type of weed. For taller weeds, first only heat the upper section of the weed briefly and then place the cone nozzle against the shrunken weed for approximately 5-10 seconds.

Please note: It is not necessary to place the end of the nozzle directly onto the weed - the heat from the weed burner will travel down the stem of the weed and kill the root preventing any further growth. Placing the tip of the weed burner nozzle directly in contact with the weed will not increase the effectiveness of killing the weed and will cause the weed burner over heat.



If the weed burner is used continuously for over 15-20 mins there is a risk the safety thermal fuse will cut out. If this occurs the weed burner must be allowed to cool down for approx. 10 minutes before it can be used again. THIS IS A SAFETY FEATURE TO PROTECT THE PRODUCT.

2. Paint removal

Use the weed burner without the extension handle so that it is hand held for ease of use. If required use the concentrator nozzle in confined areas or without any nozzle on larger areas (similar to a standard hot air gun). Set the heat selector to position I (60°C) for most paint removal applications - suitable for removing gloss paint or varnish etc.

3. Thawing frozen pipes or heating other material

Use the weed burner without the extension handle so that it is hand held for ease of use. Set the heat selector to position I (60°C) for applications such as thawing a copper pipe, outside tap or heating plastic sheeting/PVC pipe tubing.

NOTE

This appliance is particularly suitable for removing weeds. Weed killing is most effective at an early stage of vegetation growth. The most suitable time is during spring. The treatment is at its most intensive the younger the plant is. However, the success of the measure is not immediately visible. The visible section of the plant can also be burnt off with a longer exposure time/treatment. Plants do not react immediately to the heat radiation with recommended treatment time. The following applies as a basic principle: young, soft-leaved plants react most sensitively to treatment. They are subsequently no longer capable of survival. Older plants with hard leaves such as thistles must be treated more frequently at an interval of between 1 and 2 weeks in order to make them dry out. To begin with, overgrown areas must be treated several times at short intervals in order to produce long-term success. After this, treatment at longer intervals is sufficient. Burning the plants off completely is not essential.

During heating, the leaf cells dry out and the weed will die. Repeated treatment of certain types of weed may be necessary.

SWITCHING OFF:

Slide the ON/OFF switch to position 0. Always place the weed burner on the stand after use on a level, fireproof surface until the hot nozzle has cooled down.

CLEANING & MAINTENANCE:

Warning! Always remove the plug from the socket and let the appliance cool down before you carry out any work on the appliance.

- Keep the air inlet and the outlet clean.

- Use a cloth or a brush to clean the housing. Never use petrol, solvents or cleaning agents that can damage plastic.

STORAGE

Store this tool carefully in a secure, dry place, out of the reach of children.

DISPOSAL

Always adhere to local authority WEEE regulations when disposing of power tools that are no longer functional and are not viable for repair.

- Do not dispose of power tools, or other waste electrical & electronic equipment (WEEE), with household waste
- Contact your local waste disposal authority for information on the correct way to dispose of power tools

WARRANTY TERMS & CONDITIONS

This Amtech product comes with a 2 year warranty. This warranty, and the warranty period, begins on the date of retail purchase as detailed on your sales receipt. If this product develops a fault within 30 days of purchase, return it to the stockist where it was purchased, with your receipt, stating details of the fault. If this product develops a fault after 30 days a warranty claim must be submitted. Your original receipt indicating the place and date of purchase must be submitted to validate the claim. We do not refund carriage. All products should be packaged carefully to prevent damage or injury during transportation. The replacement of the product will not extend, or renew the period of guarantee. Retained tools, or parts, for which a replacement has been issued, will become the property of DK Tools Ltd. The replacement of your product under this warranty provides benefits which are additional to, and do not affect, your statutory rights as a consumer. To request a warranty replacement, please submit a warranty claim form at www.amtechdiy.com/warranty

What is covered

The replacement of the product, once verified to the satisfaction of DK Tools, that the defect is due to faulty materials or workmanship. If any part is no longer available or out of manufacture, we may replace it with a functional replacement.

What is not covered

Normal wear and tear caused by use in accordance with the operating instructions e.g. blades, brushes, belts, bulbs, batteries etc. Accidental damage, faults caused by: improper use, abnormal environmental conditions, overloading, insufficient maintenance, careless operation or handling of the product. Use of the product for anything other than normal intended purposes. Change or modification of the product in any way. Defects caused by the use of parts or accessories which are not Amtech genuine components. Claims, other than the right to correction of faults with the product covered by these conditions. Slight deviations from the specification that do not affect the functionality of the product.



IMPORTANT:

No liability is accepted for the incorrect use of the product. Whilst every effort has been made to ensure accuracy of information contained in this manual the DK Tools Ltd policy of continuous improvement determines the right to make modifications without prior warning.



EC Declaration of Conformity

In accordance with EN ISO 17050-1:2010

We, DK Tools Ltd
of Units 1&2 Northpoint Business Centre
Horton Road
West Drayton
Middlesex
UB7 8EQ

in accordance to the following Directives:

2006/42/EC	The Machinery Directive
2014/35/EU	The LVD Directive
2014/30/EU	The EMC Directive
2011/65/EU	The Restriction of Hazardous Substances [RoHS] Directive
2012/19/EU	WEEE Directive
1907/2006/EC	REACH Regulations
SI 2008/1597	Supply of Machinery [Safety] Regulations

hereby declare that:

Equipment	2000W Electric Weed burner
Model number	Q1B – CH – 2000ST
Stock code	U9010

is in conformity with the applicable requirements of the following documents

Ref. No.

EN ISO 11148-6:2010	EN 61000-3-3:2013
EN 60335-1:2012+A11:2014	AfPS GS 2014:01 PAK
EN60335-2-45:2002+A2:2012	
EN 62233:2008	
EN 61000-3-2:2014	

I hereby declare that the equipment named above has been designed to comply with the relevant sections of the above referenced specifications and is in accordance with the requirements of the Directives.

Signed by:

Mr. P. Hawkes
Quality Assurance Manager
DK Tools Ltd

January 2019



The Technical File for the product is available on request from the above named person or the operations director.