



Join us for expert DIY and product support at:
www.amtechdiy.com

This voltage tester allows you to check/test safely, quickly and accurately the following main features:

1. AC voltage test: contact method from 70-250 VAC; non contact method from 70-600 VAC
2. Polarity test: 1.5V-36VDC
3. Continuity check: 0-50 MΩ
4. Microwave leakage detection: >5mW/cm²

Batteries replacement:

Type: 392A; AG3; LR41; 192; V3GA (1.5Vx2 Alkaline or Silver type)

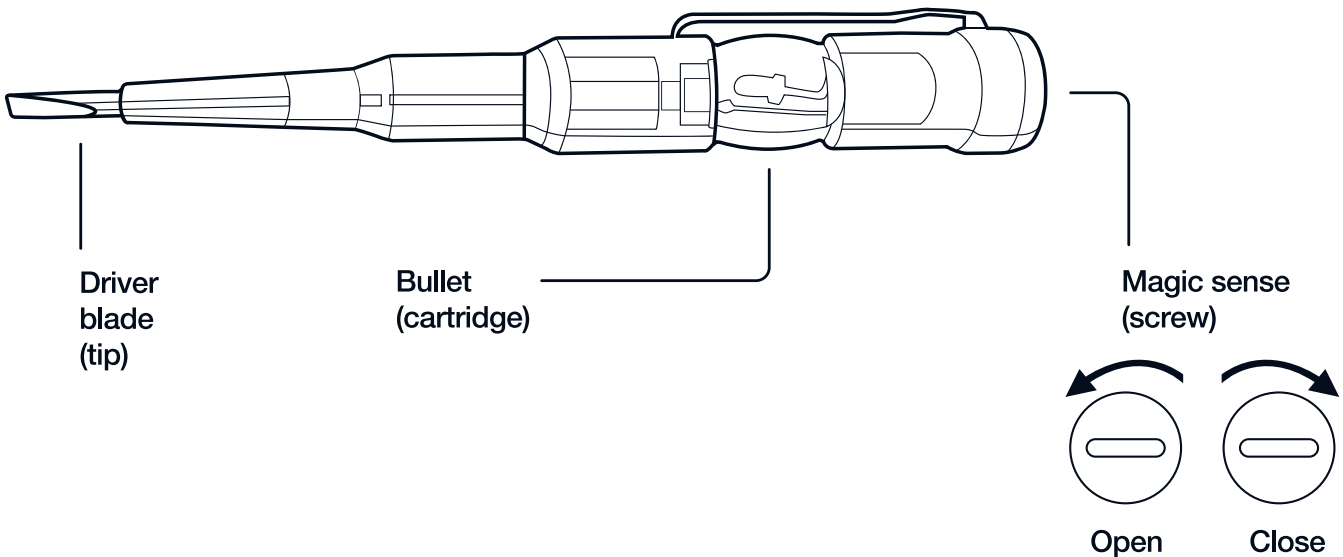
Battery life: minimum 5 hours of continuous operation.

How to replace the batteries:

Unscrew the “Magic sense” (screw) completely in anti clockwise direction, gently straighten the wire over the batteries. Replace the batteries with “negative” side at inside position and then bend the wire back.

Caution:

1. Never attempt to take any parts out except replacing batteries.
2. Do not operate the tester with “Magic Sense” removed.
3. Please secure the screw tightly (clockwise direction).



Notes:

1. The tester should not be used to test voltages above the stated rated voltage.
2. Perfect indication is only assured in temperature range from 14° to 122° F (-10° to +50° C) and the frequency range from 50 to 500Hz
3. The perceptibility of the indication can be impaired: in unfavourable lighting conditions, (eg in sunlight) or in unfavourable positions, (eg on wooden runged ladders etc.)
4. The tester must be tested for correct function before use (self test).
5. The screw driver blade should only be used for testing voltage on live/hot parts. Other work must not be carried out without isolating the voltage.
6. Damaged tester must not be used.
7. Static electricity may be generated by rubbing the “plastic body” thus causing false reading (indication).
8. Never try to modify any components/part inside the tester.

WARNING:

The tester must not be used in the presence of moisture (eg dew or rain).